

GEO-LIS Series LED Illuminated Sign:

PRODUCT DESCRIPTION:

The GEO-LIS Series low voltage, low maintenance illuminated signs are designed for indoor use. An important feature is that the lettering within the sign is not visible unless the sign is illuminated. The frame is manufactured from an attractive and durable glossy white powder coated steel or optional stainless steel (Fig.1). Mounting hardware for both ceiling and wall are included with each sign. As an added optional feature the sign can be equipped with a 90 dB audible signal (Piezo), loud enough to attract attention to the sign.

Sign illumination is provided by a reliable super bright LED illuminated panel. Sign can be either solid or flashing for added visual effectiveness. The illumination is provided by reliable LEDs with low operating cost. LEDs use substantially less power, and are capable of lasting for years without any degradation in intensity.

Sign text is fully customizable. Common displays include, "FIRE DO NOT ENTER" (English / French bilingual version), "CACF", "SCHOOL IS IN LOCKDOWN" and "INTERVIEW IN PROGRESS". Custom text in English or French is available upon request. The GEO-LIS is designed for 24V AC/DC with an integrated supervisory feature.

The GEO-LIS Series of LED illuminated signs will provide your customers with a affordable and reliable addition to any fire alarm system or building.

PRODUCT FEATURES:

- Attractive glossy white powder coated frame.
- Each unit comes complete with Wall or Ceiling mounting hardware.
- Sign illumination provided by a reliable and super bright LED illuminated panel.
- Sign can be either flashing or solid
- Long term cost effective operation.
- Added feature: 90 dB audible signal (Piezo).
- Fully customizable sign text (i.e. FIRE DO NOT ENTER, SCHOOL IS IN LOCKDOWN).
- Text available in English, French, or Bilingual
- Custom text options available.
- Lettering not visible unless LED panel is illuminated.
- Designed for 24VDC or 24VAC operation.
- Connects easily to fire alarm supervised NAC bell circuit, or direct to 24 Volts.
- Unit comes complete with built-in blocking diode (IN4004)



Fig. 1



MODEL INFORMATION:

Overall Dimensions:
Width: 11-1/2"(292 mm)
Height: 7-5/8"(194 mm)
Depth: 2-1/8"(54 mm)



GEO-LIS LED Illuminated Sign:

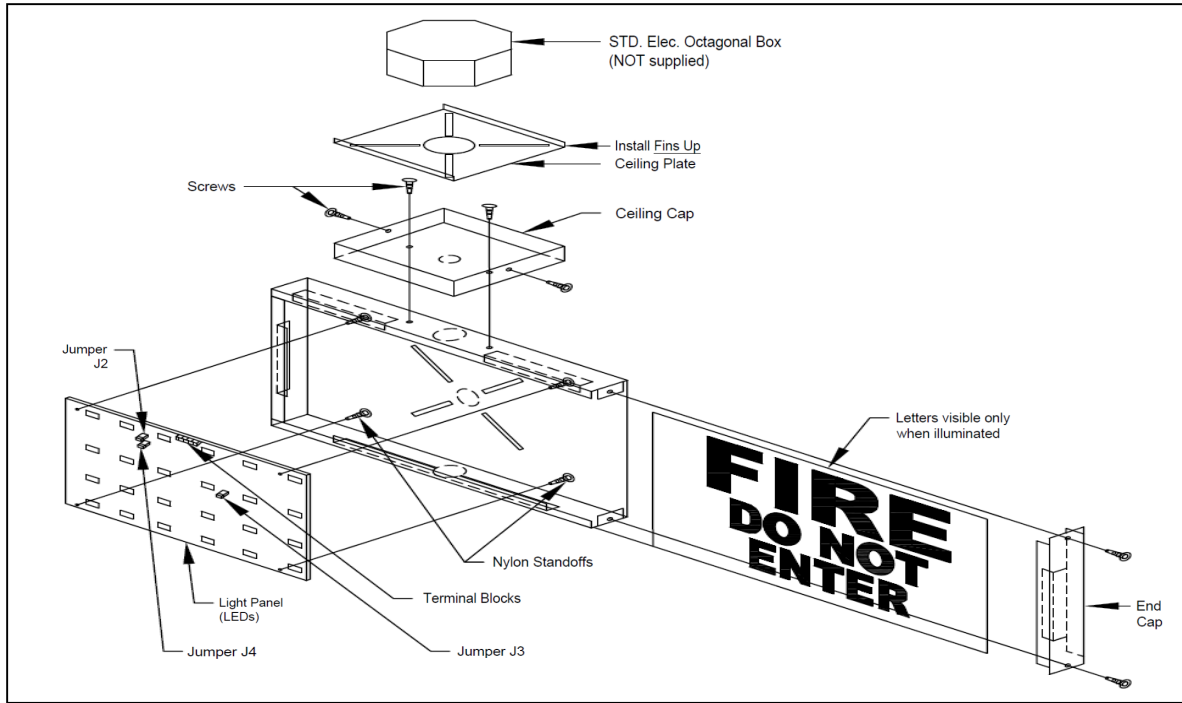


Fig.2

TYPICAL CEILING MOUNT DIAGRAM

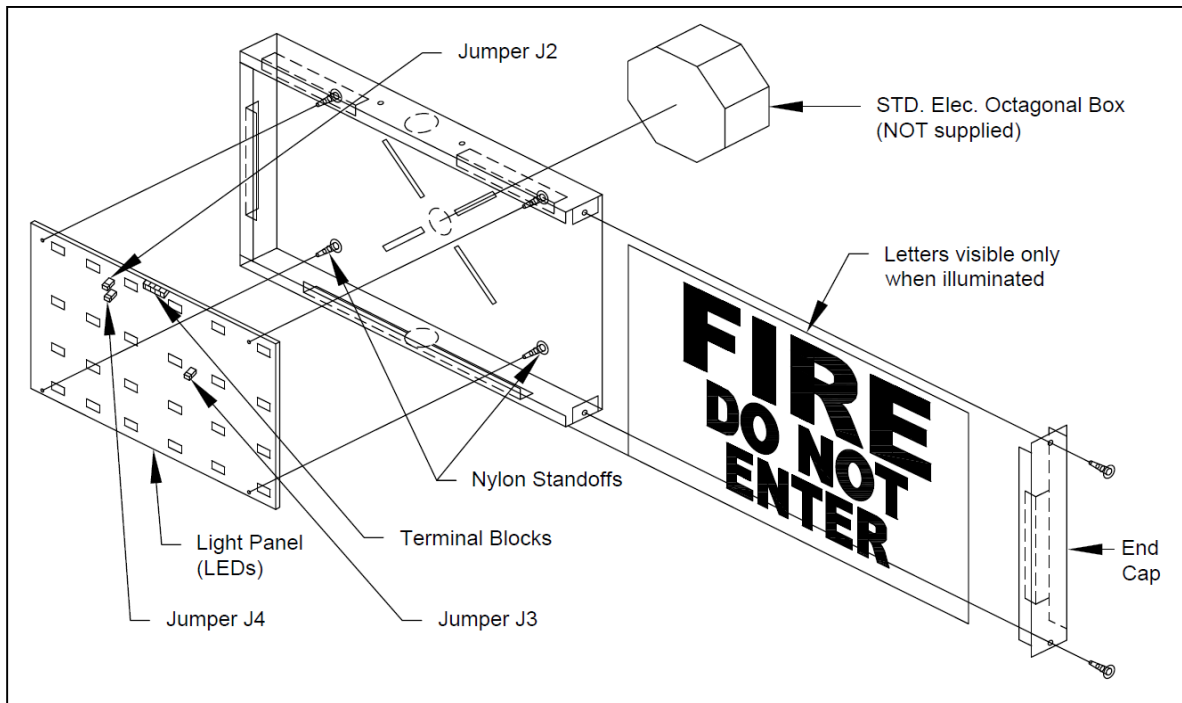
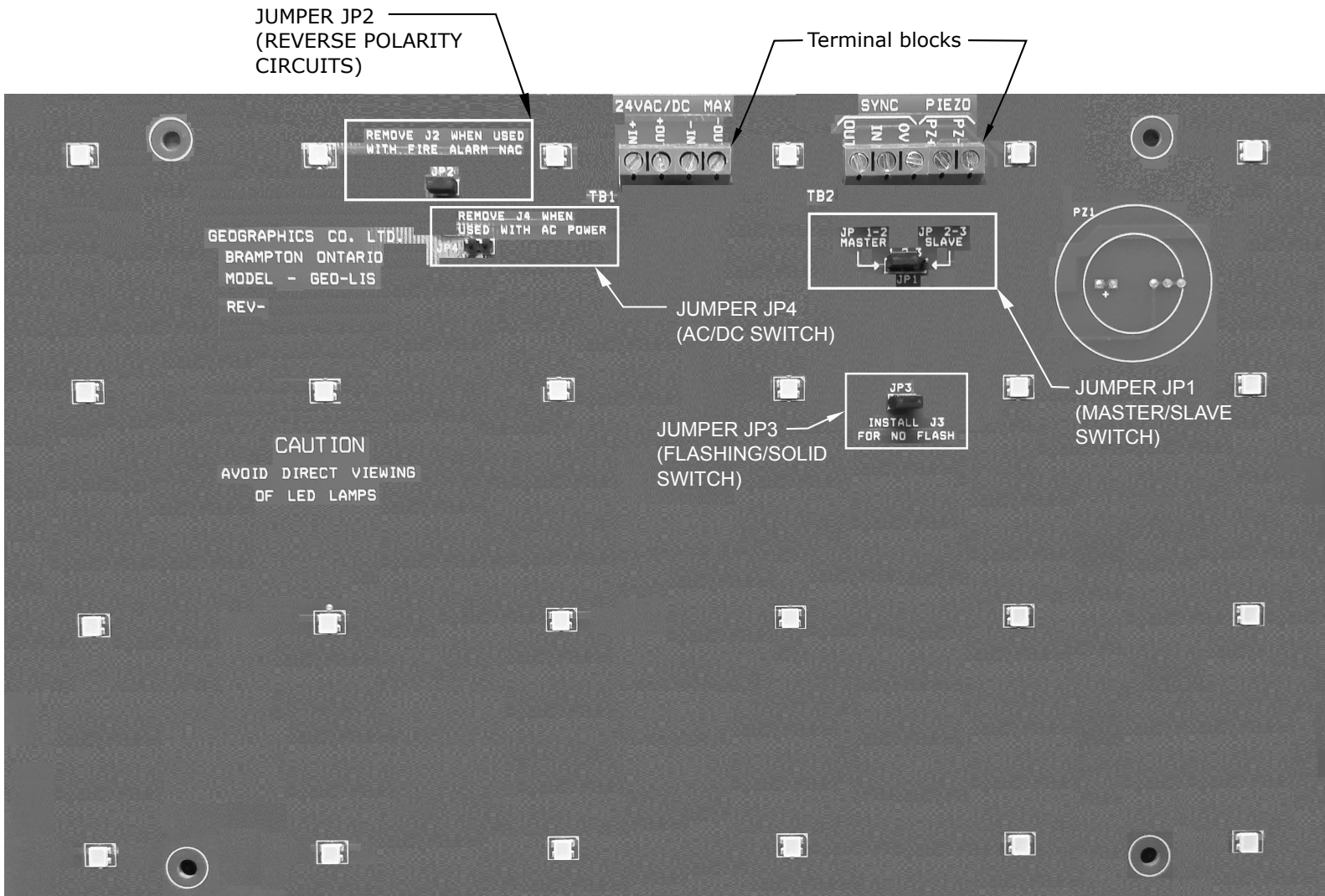


Fig.3

TYPICAL WALL MOUNT DIAGRAM

GEO-LIS Sign Specifications



Size Specifications:

Width: 11-1/2" (292 mm)
 Height: 7-5/8" (194 mm)
 Depth: 2-1/8" (54 mm)
 Voltage: 24V AC/DC
 Illumination: LEDs

SIGNALING

LISTED LISTED
Fire Alarm and General Signaling Equipment
S36372

Note:

FOR MASTER OPTION, PUT J1 JUMPER IN 1-2 POSITION
 FOR SLAVE OPTION, PUT J1 JUMPER IN 2-3 POSITION

REMOVE J2 JUMPER WHEN USED
 WITH REVERSE POLARITY
 CIRCUITS (NAC)

INSTALL J3 JUMPER TO DISABLE
 FLASH OPERATION

24 VDC SIGN DRAWS 100 mA

REMOVE J4 JUMPER WHEN USED
 WITH AC POWER

24 VAC rms SIGN DRAWS 280 mA